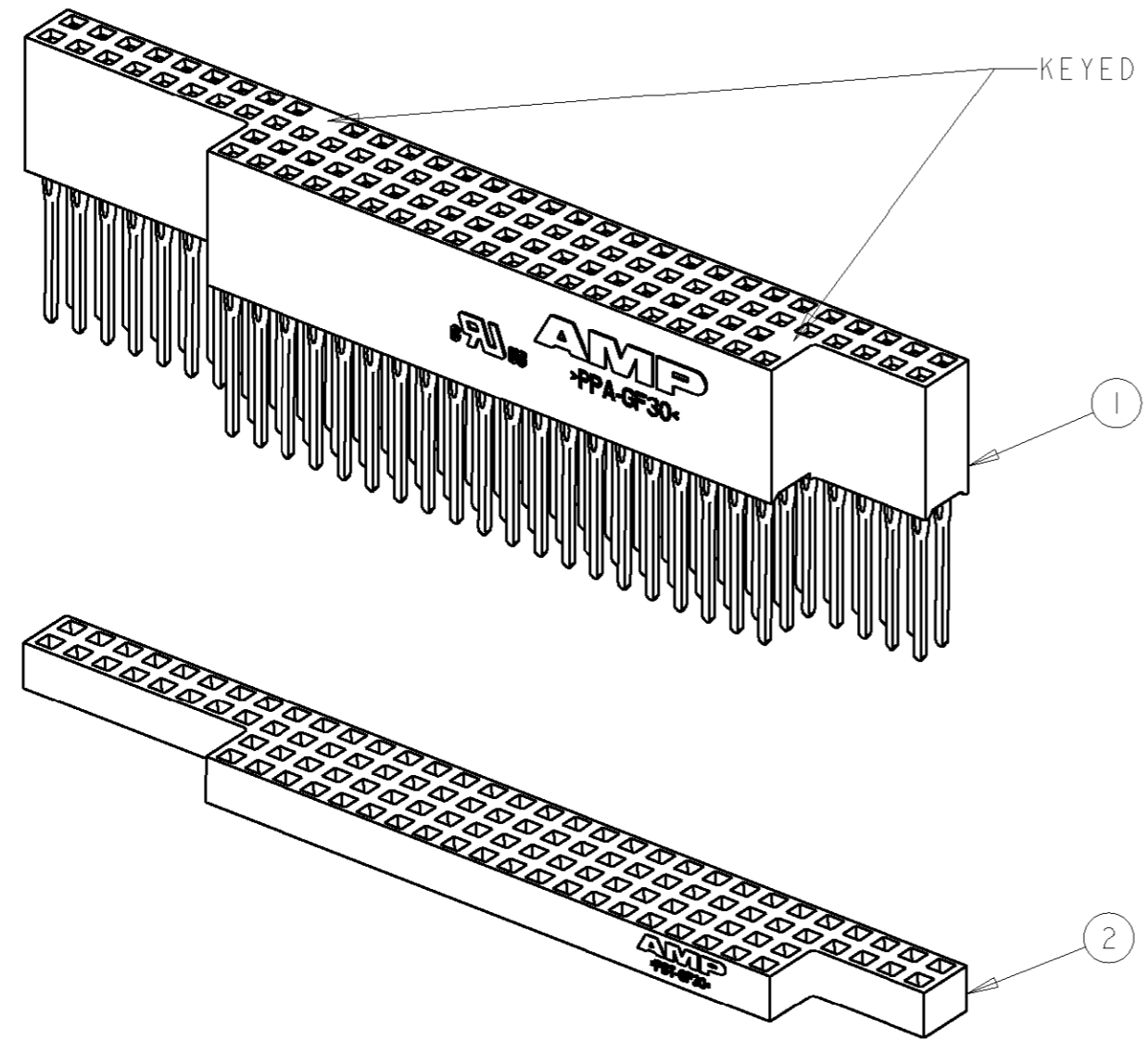


THIS DRAWING IS UNPUBLISHED. RELEASED FOR PUBLICATION 20
 © COPYRIGHT 20 BY TYCO ELECTRONICS CORPORATION. ALL RIGHTS RESERVED.

LOC	DIST	REVISIONS					
		P	LTR	DESCRIPTION	DATE	DWN	APVD
AD	00		0	REV PER EC 0G3C-0183-01	13JUN2001	MB	JO
			A	REV PER EC 0G3C-313-04	26AUG04	MB	JO
			B	0G3C-0184-05	31AUG2005	RB	JO



- 1. COMPONENTS BULK PACKAGED.
- 2. 1445441-1 & -3 (AS SHOWN) KEYED VERSION PER PCI04 SPECIFICATION.
- 3. 1445441-2 & -4 UNKEYED VERSION.
- 4. ROHS 2002/95/EC COMPLIANT PART TO BE USED WITH ROHS 2002/95/EC COMPLIANT PCB'S.

4 3	1445251-1	1375795-4	1445441-4
4 2	1445251-1	1375795-3	1445441-3
3	1445251-1	1375795-2	1445441-2
2	1445251-1	1375795-1	1445441-1
2	ORGANIZER QTY = 1	1	CONNECTOR ASSY QTY = 1
			PART NUMBER

THIS DRAWING IS A CONTROLLED DOCUMENT FOR TYCO ELECTRONICS CORPORATION
 IT IS SUBJECT TO CHANGE AND THE CONTROLLING ENGINEERING ORGANIZATION
 SHOULD BE CONTACTED FOR THE LATEST REVISION.

DIMENSIONS:	TOLERANCES UNLESS OTHERWISE SPECIFIED:
mm	
	0 PLC ±-
	1 PLC ±0.5
	2 PLC ±0.13
	3 PLC ±0.013
	4 PLC ±0.0001
	ANGLES ±-
MATERIAL -	FINISH -

DWN R BROWN 29MAR2001	Tyco Electronics Harrisburg, PA 17105-3608
CHR J OLSON 29MAR2001	
APVD J OLSON 29MAR2001	
PRODUCT SPEC 108-1956	NAME KIT, PC/104 ASSEMBLY, NO STANDOFFS W/ORGANIZER
APPLICATION SPEC 114-13021	SIZE A3 CAGE CODE 00779 C=1445441
WEIGHT -	RESTRICTED TO -
CUSTOMER DRAWING	SCALE 2:1 SHEET 1 OF 1 REV B